

# Roto-Clean™

## Sanitary Spherical Valves

### Easy-to-Clean and Lightweight

The Roto-Clean™ valve incorporates all of the same, important features of the Roto-Disc® valve in a sanitary, quick-clean design that disassembles and reassembles, by hand, in just minutes. All product contact surfaces are of FDA compliant materials. If you have to clean your processing equipment frequently and are tired of valves that gum-up, jam or leak, the Roto-Clean may solve your valve problems forever – and save you downtime too!

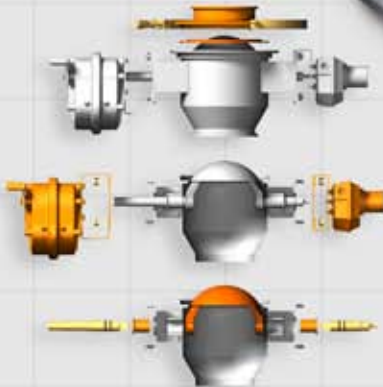
### Typical Applications

- Food and Pharmaceutical Powders
- Spices and Flavorings
- Pigments, Dyes
- Semi-Conductor / High-Purity Silicon
- Any Application Where Frequent Valve Cleaning is Required



### Disassembly in 3 Easy Steps

1. Remove Main Body Clamp and Top Plate
2. Unscrew Thumb Nuts and Remove Controls
3. Pull Out Shafts and Remove Dome and Bushings



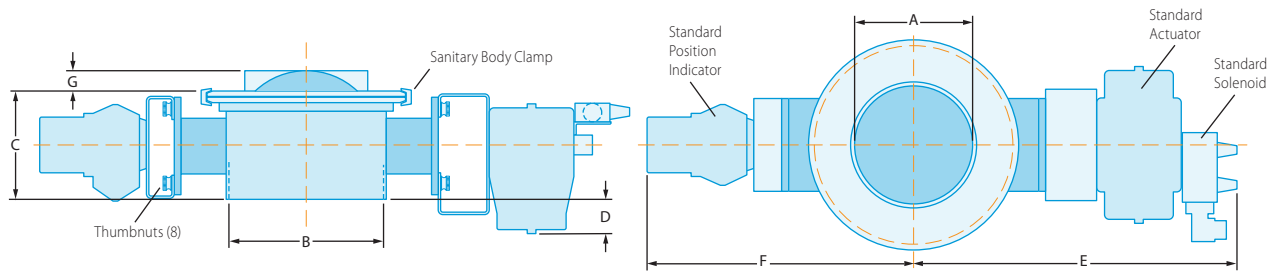
### Roto-Clean Advantage

Like the Roto-Disc, the Roto-Clean wipes itself clean with each cycle and there are no internal hang-up points for material to collect and spoil. And like the Roto-Disc, it can seal against high pressure and vacuum while slicing through sticky, gummy material build-up. Made of 304 and 316 stainless steel and with the option to mate to connecting equipment with sanitary quick-clamps, the Roto-Clean is ideal for any application that requires a sanitary environment. Save time and eliminate hassle with the Roto-Clean.

Presto! No two product contact parts are still together and each can be cleaned and sanitized. Re-assembly is just as easy and in a few minutes, the valve is back in service. Clearances are undisturbed and the controls just slide back on.

## When All Else Fails

# Technical Information (Standard Valve)

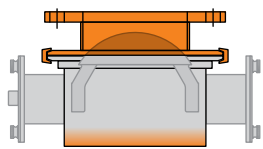


Valve Size	Standard Valve (Stub Ends) Dimensions – IN. (mm)							Weight with Standard Controls - LBS. (Kg)	Minimum Torque Required INCH - LBS. (nm)	Std. Actuator Torque at 80 psi INCH - LBS. (nm)
	A*	B*	C*	D*	E*	F*	G*			
2	2-3/16" (56)	3-9/32" (83)	3-3/32" (79)	1-31/32" (50)	11-7/8" (302)	1-5/8" (270)	0"	25 lbs. (11)	210 (24)	480 (51)
3	3-9/32" (83)	5-5/16" (135)	4-27/32" (123)	1-1/32" (26)	14-9/16" (370)	12-1/16" (306)	1/8" (3)	31 lbs. (14)	210 (24)	480 (51)
4	4-9/32" (109)	6-3/8" (162)	4-27/32" (123)	1-1/4" (32)	15-5/8" (397)	13-1/8" (333)	13/32" (10)	35 lbs. (16)	300 (34)	480 (51)
6	6-3/8" (162)	8-11/32" (212)	5-27/32" (148)	1-7/8" (48)	17-7/16" (443)	14-3/8" (365)	1-3/32" (28)	62 lbs. (28)	680 (77)	1,450 (164)
8	8-11/32" (212)	11-1/2" (292)	7-5/8" (94)	2-7/8" (73)	20-11/16" (526)	15-5/8" (397)	1-3/8" (35)	100 lbs. (45)	1,150 (130)	3,600 (407)
10	10-7/16" (265)	13-1/2" (343)	8-15/32" (215)	2-5/8" (67)	21-5/8" (549)	17-1/8" (435)	1-15/16" (49)	148 lbs. (67)	1,800 (203)	3,600 (407)

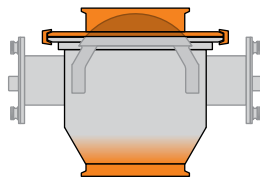
\* Dimensions vary with Inlet / Outlet Options and with non-standard controls. Fractional dimensions rounded up to the next 1/32"

## Inlet/Outlet Options

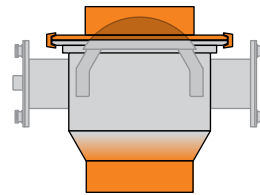
Roto-Disc valves can be adapted to fit your connection requirements. Several common options are illustrated.



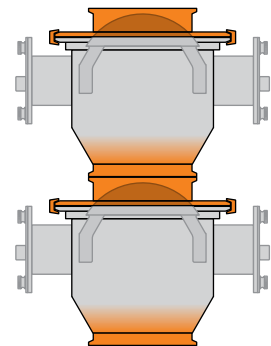
▲ **Flange Adaptors** with inlet reducer for matching port and flange sizes



▲ **Weld Ferrules** for sanitary Tri-Clamp Connections



▲ **Reducing Port** for flexible hose connections



▲ **Airlock / Double-Dump Assembly**  
Two Roto-Clean valves placed in series and are opened independently



**Roto-Disc**  
WHEN ALL ELSE FAILS.



Roto-Disc, Inc. 514 Enterprise Drive, Unit A, Erlanger, Kentucky 41017, USA  
ph +1 513-871-2600, fax +1 513-871-9013 • info@rotodisc.com • www.rotodisc.com